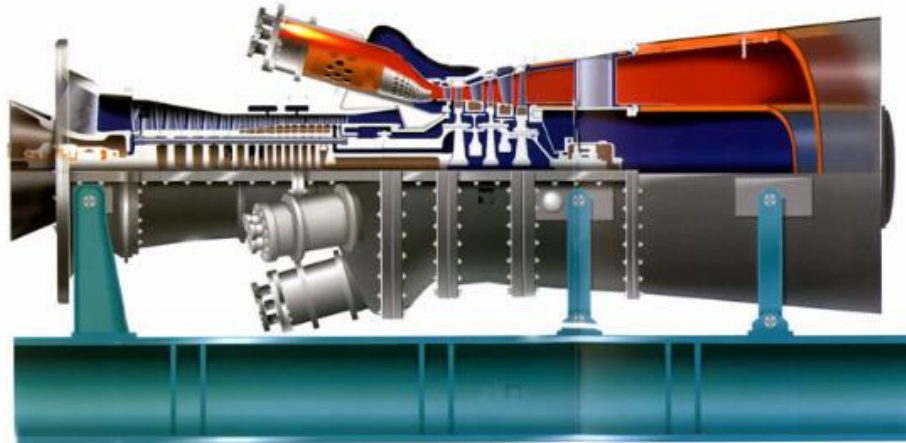


Frame 6FA USER CONFERENCE 2019

9-11 APRIL 2019

Barcelona, Spain

Hotel H10 Marina Barcelona



SULZER



CONTACT
GASRE OY
+358 40-5546355
INFO@GTUSERS.COM

19.00-22.00	MONDAY 8th of April RECEPTION BY Sponsors General Electric, Sulzer , PSM, Freudenberg, EthosEnergy, MJB, AlliedPG, MD&A Registration desk is open 18-21.00
19.00-22.00	Registration by GTUsers and RECEPTION by Sponsors GTUsers.com desk is open whole evening. You can register to GTUsers, update your Plant data, ask questions etc.

9.00-17.00	TUESDAY 9th of April (Registration desk open from 8.00-12-00)	USER DAY
9.00-9.10	Opening Word by a Steering Committee Member	
9.10-10.10	PLANT TECHNICAL PRESENTATIONS (END USER PRESENTATIONS) All Plants to make a 10-15min technical presentation of major event(s) and lessons learned. After each presentation, 5 min discussion	
9.10-9.30	Power follow-up and augmentation	Tanguy Poline / Air Liquide
9.30-10.00	3x1 combined cycle with 6F.03 experience	Manuel Lombardero / AES Panama
10.00-10.20	Coffee break	
10.20-10.40	Load Gear Pinion Vibration Post MI	Suresh Vivek Adit / ExxonMobil Singapore
10.40-11.00	Failure of 6FA rotor	Tomás Alvarez / Enel
11.00-11.20	Presentation	
11.20-11.40	Presentation	
11.40-12.00	6FA Group WEB	
12.00-13.00	Lunch	
13.00-13.30	Vendor fair	
13.30-14.15	SULZER Sulzer new parts, repairs and field services for 6FA gas turbines	
14.15-14.35	Coffee break	
14.35-15.00	End user Q&A session Review and discussion of user day questionnaire (see separate excel sheet)	
15.00-15.45	FREUDENBERG The effect of air filtration on gas turbine performance degradation - ISO16890 and its application to real engine data	
15.45-16.30	PSM Ansaldo Service Solutions for Your Frame 6F – This session will outline PSM's current commercial offerings including experience, our product development roadmap	
16.15-19.00	Vendor Exhibition	
19.00-	Dinner with Compliments of SULZER	

9.00–17.00		WEDNESDAY 10 th of April	
9:00-9:45	EthosEnergy	Achieve Operational Flexibility to Maximize Output & Minimize Environmental Impact with Combustion Tuning Technology	
9:45-10:30	GTC	Turbine life versus Control life	
10.30–10.50		Coffee break	
10:50-12:30	GE Welcome and introduction	Ajay Gupta	
	Keynote Address	Ryan Hooley	
	2018 Recap	Aileen Barton	
	6F Evolution and Fleet	Aileen Barton/Ajay Gupta	
	<ul style="list-style-type: none"> • Current fleet updates and "What's next ?" 		
12.30–13.30		LUNCH	
13.30-14.00		Vendor fair	
14.00-15.00		GE TECHNICAL PRESENTATIONS	
	Plant Performance Solutions and Flexibility	Charles Smith	
	Rotor Life Management program: Scope and status	Matt Ferslew	
15.00-15.20		Coffee break	
15.20-17.00	GE Q&A Session	Jerry Sasser	
	Configuration	Ajay Gupta	
19.00–		Dinner with compliments of GE	

8.30-12.00

Thursday 11th of April

8.30-10.00

Reliability

- Top fleet reliability and availability items
- Fleet TILs Update
- GE safety bulletin on hexavalent chromium

Jerry Sasser

Control systems update/ obsolesces

Charles Straka

10.30-10.50

Coffee break

10.50-12.00

EDUCATIONAL/ TRAINING 101

Educational 101 topics... performance monitoring, consistent measuring system for HR (example).

Thomas Freeman

CLOSING OF THE CONFERENCE

Ajay Gupta

Yrjo Komokallio

12.00-13:00

LUNCH